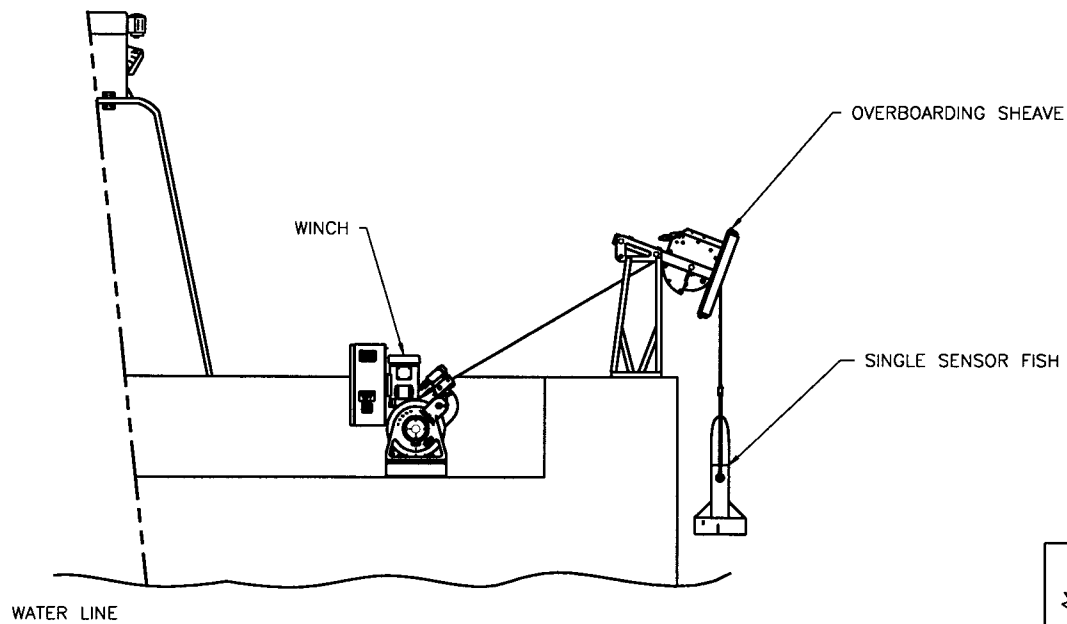


MOUNTING FRAME TO BE DETERMINED BY INDIVIDUAL LAUNCH



OVERBOARDING SHEAVE

WINCH

SINGLE SENSOR FISH

WATER LINE



BROOKE OCEAN
TECHNOLOGY LIMITED

DWG No.: 0010-0-0-0-03
DATE : MAR. 28/01